

Stat-X[®]

Aerosol Fire Suppression

PRODUCT CATALOG



The Stat-X® product offerings cover a wide range of enclosed special hazard fire protection applications, and we also offer a personal protection device, the Stat-X First Responder® for use for by professional fire responders. This catalog was created to help simplify the choices and to show photos of the various components.

All of our products are designed and installed by one of our trained and certified distributor partners.

Our distributors' contact information is available at www.statx.com.

Table of Contents

Thermal/Manual and Manual ONLY Generators	3
Thermal/Manual Generators	4
Manual/Thermal Actuation Heads	6
Manual Only (Pull) Actuation Heads.....	7
Thermal Auto Actuation Heads.....	7
Thermal Switch Clip Assembly	8
Cable Pull Assemblies	9
Electrical Generators	13
Electrically Operated Generators	14
Electric Generator Series for Classified Hazardous Areas	17
Stat-X [®] Electric EX Generator Series for Classified Hazardous Areas	18
Electrical Units for Hazardous Locations	19
System Signs.....	24
Land Signage.....	24
Marine Signage.....	27
Generator Mounting Brackets	30
Mounting Brackets	30
External Mounting Bracket	33
Penetrator Bracket Assemblies	34
Accessories	37
Cable Adapter	37
Generator Protective Covers.....	38
Control Panels and Associated Components.....	39
Potter PFC-4410RC Fire Suppression System Control Panel	39
Control Panel Batteries.....	40
Relay Modules.....	40
Switches.....	41
Conventional Fire Alarm Pull Stations.....	42
Powered Spot-Type Conventional Fire Detectors	45
Thermotech Conventional Spot-Type Heat Detectors.....	46



Aerosol Fire Suppression

Potter Horn/Strobes.....	47
Potter Releasing Control Accessories.....	48
Ematch Protection Device	48
Test Match.....	48
Fire Alarm Control Panel	49
Potter ARC-100 Fire Alarm Control Panel.....	49
Control Panel Batteries.....	51
Sigma A-XT Extinguishant Control Panel.....	52
Sigma XT Extinguishant Control Panel.....	53
Sigma XT+ Multi-Area Extinguishant Control Panels.....	54
Compact Control Panels.....	55
Solo Ultra Control Panel.....	55
DECU3 Control Panel	56
μ-FEP Fire Detection & Extinguishing Control Panel with an Integrated UPS.....	57
AdvantageLi Control Panel.....	58
SDRP Panel.....	59
Control Panel Comparison.....	61
Protectowire Linear Heat Detection Wire.....	62
Protectowire Splicing Connectors and Termination devices	63
Protectowire General Purpose Fasteners.....	65
Protectowire Cable Tray Mounting Clips	67
Protectowire Sprinkler Pipe Mounting Hardware	68
Protectowire Wire Installation Equipment.....	68
Systems Enclosure Application Worksheet.....	69
Industrial Applications.....	70
Stat-X First Responder®	71
Industrial Applications.....	73



Thermal/Manual and Manual ONLY Generators



Aerosol Fire Suppression

Thermal/Manual Generators

These are our automatic units which are thermally activated. They self-activate when they reach a pre-selected temperature which is determined by the thermal head temperature chosen.

They can also be configured to activate manually with a cable pull system. See page 7-11.

Part Number	Description
15300	30T generator
15311	60MT generator
15410	100T generator
15510	250T generator
15511	250MT generator
15610	500T generator
15711	1000MT generator

30T Generator
PN: 15300



60MT Generator
PN: 15311



100T Generator
PN: 15410



250T Generator
PN: 15510



250MT Generator
PN: 15511



500T Generator
PN: 15610



1000MT Generator
PN: 15711



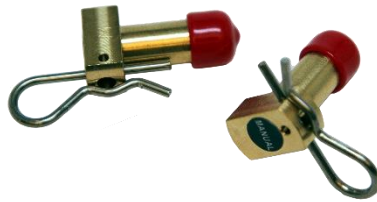
Manual/Thermal Actuation Heads

Part Number	Description
20102	M/T Head 158°F/70°C horizontal pull, ALUMINUM
20103	M/T Head 158°F/70°C vertical pull, ALUMINUM
20104	M/T Head 203°F/95°C horizontal pull, ALUMINUM
20105	M/T Head 203°F/95°C vertical pull, ALUMINUM
20106	M/T Head 254°F/123°C horizontal pull, ALUMINUM
20107	M/T Head 254°F/123°C horizontal pull, ALUMINUM
20112	M/T Head 158°F/70°C horizontal pull, BRASS
20113	M/T Head 158°F/70°C vertical pull, BRASS
20114	M/T Head 203°F/95°C horizontal pull, BRASS
20115	M/T Head 203°F/95°C vertical pull, BRASS
20116	M/T Head 254°F/123°C horizontal pull, BRASS
20117	M/T Head 254°F/123°C vertical pull, BRASS



Manual Only (Pull) Actuation Heads

Part Number	Description
14654	Manual only head, vertical pull, BRASS
14655	Manual only head, horizontal pull, BRASS



Thermal Auto Actuation Heads

Part Number	Description
20142	Head, Thermal Auto Actuation, 158°F/70°C, AL
20143	Head, Thermal Auto Actuation, 203°F/95°C, AL
20144	Head, Thermal Auto Actuation, 254°F/123°C, AL
20152	Head, Thermal Auto Actuation, 158°F/70°C, brass
20153	Head, Thermal Auto Actuation, 203°F/95°C, brass
20154	Head, Thermal Auto Actuation, 254°F/123°C, brass





Aerosol Fire Suppression

Thermal Switch Clip Assembly

Part Number	Description
18220	Thermal switch clip assembly 257°F/ 125°C, 2", normally open
18221	Thermal switch clip assembly 257°F/ 125°C, 3", normally open
18222	Thermal switch clip assembly 257°F/ 125°C, 5", normally open
18225	Thermal switch clip assembly 257°F/ 125°C, 2", normally closed
18226	Thermal switch clip assembly 257°F/ 125°C, 3", normally closed
18227	Thermal switch clip assembly 257°F/ 125°C, 5", normally closed

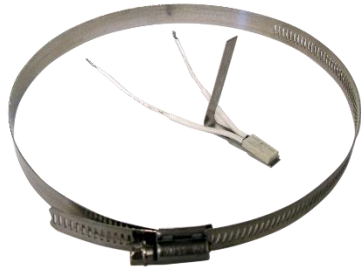
Thermal Switch Clip Assembly, 2"
PN: 18220/18225 2"



Thermal Switch Clip Assembly, 3"
PN: 18221/18226



Thermal Switch Clip Assembly, 5"
PN: 18222/18227



The thermal switches are used with the thermally actuated Stat-X generators. It provides a dry contact interface point for shutting down process equipment and/or HVAC equipment in a protected area or to monitor a Stat-X generator for notification that it has discharged. The thermal switches are one-time use devices that should be attached to the (discharge) port end of a Stat-X generator. When the generator discharges the heat of the aerosol agent and the generator will activate the switch.

Cable Pull Assemblies

Part Number	Description
14682	300°F 3ft cable pull assembly, red T-handle
14681	300°F 12ft cable pull assembly, red T-handle
14667	300°F 40ft cable pull assembly, red T-handle
14668	300°F 12ft cable pull assembly, extender
14669	300°F 40ft cable pull assembly, extender
14686	200°F 3ft cable pull assembly, black T-handle
14689	200°F 6ft cable pull assembly, black T-handle
14687	200°F 12ft cable pull assembly, black T-handle
14688	200°F 40ft cable pull assembly, black T-handle
14683	Weather-resistant plastic wall-mount cover box
14663	Cable tee pulley
14685	Oval sleeve SS (package of 10)
14664	Oval sleeve tin-plated copper (package of 50)
14684	Steel 3" corner L-brackets (for 300°F cables only)
14698	Recessed stainless open cup

Stainless oval sleeve crimp 300°F rated bowden cable pull rope with red T-handle & extender cable rope.





Aerosol Fire Suppression

Cable pull end is looped through the T-model activator cotter pin manual release and crimped with a choice of stainless or tin-plated copper oval sleeve. Cable bulkhead fittings must be properly anchored. The thermal switch is an optional electrical contact to indicate released status.

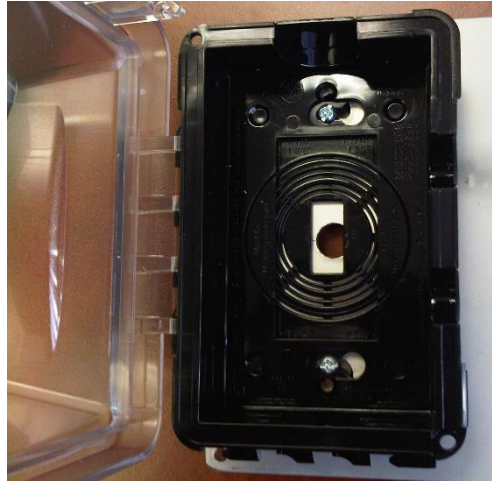
This is the 200°F rated bowden pull cable with black T-handle.



Cable tee pulley (PN 14663) will accept a T-handle pull cable as input and two extender cables as outputs. This permits one T-handle to pull the cotter pins of 2 thermal/manual head activators. Tiered use of multiple tee pulleys is possible.



Cable pull polycarbonate cover box includes a clear cover. This box is intended for bulkhead surface mount and includes vertical and horizontal hinges for snap-on cover. Cover can be locked or fitted with breakable tamper seal (not supplied). T-handle cables have removable knobs and bulkhead fittings for penetration mounting.





Aerosol Fire Suppression

Recessed stainless steel open cup (PN: 14698) can be used with black T-handle cable pull for use with consoles.



Please refer to our thermal/manual owner's manual and the automatic design manual for more technical information.



Electrical Generators

Electrically Operated Generators

These electrically operated generators (“E” models) need to be part of a fire system including detection and controls. They are designed with a fire alarm/releasing panel.

Part Number	Description
15100	30E generator
15110	60E generator
15111	60ME generator
15120	100E generator
15130	250E generator
15530	250ME generator
15140	500E generator
15150	1000E generator
15550	1000ME generator
15160	1500E generator
15170	2500E generator

30E Generator
PN: 15100



60E Generator
PN: 15110



60ME Generator
PN: 15111



100E Generator
PN: 15120



250E Generator
PN: 15130



250ME Generator
PN: 15530



500E Generator
PN: 15140



1000E Generator
PN: 15150



1000ME Generator
PN: 15550



1500E Generator
PN: 15160



2500E Generator
PN: 15170



Please refer to our electric generator owner's manual and the electric design and installation manual for more technical information.

Stat-X[®] EX

Aerosol Fire Suppression



Electric Generator Series for Classified Hazardous Areas



Aerosol Fire Suppression

Stat-X® Electric EX Generator Series for Classified Hazardous Areas

With our UL Class I, Division 2, UL ATEX certificate, and UL IECEx certificate, Stat-X electric operated aerosol fire suppression units are now certified to be in enclosed environments classified as a hazardous area. These units are certified by UL and are authorized to bear the both the UL Listing mark for Canada and the United States, Class I, Division 2, as well as IECEx, and the ATEX mark.

This certification does not include the Stat-X thermal/manual operated units nor the Stat-X First Responder® portable devices.

This product line will be referred to as our Stat-X Electric EX model aerosol fire suppression units. This product line complements, but does not supersede, our current line of UL/ULC listed E-model Stat-X aerosol fire suppression units. The Stat-X Electric EX final product is fitted with a choice of factory installed 3/4" NPT or M25x1.5mm male stainless steel or brass 90° elbow threaded connections.

This product line is applicable for all of our current applications (<https://www.statx.com/applications/>) with the exception of the explosive dust concentrate areas.

Protect your hazardous area with our automatic fixed fire suppression systems in the following industries.

- Onshore Oil & Gas
- Military
- Power Generation
- Flammable Liquid and Hazardous Material Storage
- Battery Storage
- Laboratories
- Painting
- Transportation

Electrical Units for Hazardous Locations

Part Number	Description
11880	Stat-X EX, 30E, CLI DIV2/Zone 2, brass 90° elbow
11890	Stat-X EX, 60E, CLI DIV2/Zone 2, brass 90° elbow
11900	Stat-X EX, 60ME, CLI DIV2/Zone 2, brass 90° elbow
11910	Stat-X EX, 100E, CLI DIV2/Zone 2, brass 90° elbow
11920	Stat-X EX, 250E, CLI DIV2/Zone 2, brass 90° elbow
11930	Stat-X EX, 500E, CLI DIV2/Zone 2, brass 90° elbow
11940	Stat-X EX, 1000E, CLI DIV2/Zone 2, brass 90° elbow
11950	Stat-X EX, 1500E, CLI DIV2/Zone 2, brass 90° elbow
11960	Stat-X EX, 2500E, CLI DIV2/Zone 2, brass 90° elbow
11885	Stat-X EX, 30E, CLI DIV2/Zone 2, 316SS 90° elbow
11895	Stat-X EX, 60E, CLI DIV2/Zone 2, 316SS 90° elbow
11905	Stat-X EX, 60ME, CLI DIV2/Zone 2, 316SS 90° elbow
11915	Stat-X EX, 100E, CLI DIV2/Zone 2, 316SS 90° elbow
11925	Stat-X EX, 250E, CLI DIV2/Zone 2, 316SS 90° elbow
11935	Stat-X EX, 500E, CLI DIV2/Zone 2, 316SS 90° elbow
11945	Stat-X EX, 1000E, CLI DIV2/Zone 2, 316SS 90° elbow
11955	Stat-X EX, 1500E, CLI DIV2/Zone 2, 316SS 90° elbow
11965	Stat-X EX, 2500E, CLI DIV2/Zone 2, 316SS 90° elbow

These are available from the 30 gram to the 2500 gram units, except the 250ME.

Stainless Steel



Brass





Aerosol Fire Suppression

Stat-X EX, 30E Generator
PN: 11880 (brass)



Stat-X EX, 60E Generator
PN: 11890 (brass)



Stat-X EX, 60ME Generator
PN: 11900 (brass)



Stat-X EX, 100E Generator
PN: 11910 (brass)



Stat-X EX, 250E Generator
PN: 11920 (brass)



Stat-X EX, 500E Generator
PN: 11930 (brass)



Stat-X EX, 1000E Generator
PN: 11940 (brass)



Stat-X EX, 1500E Generator
PN: 11950 (brass)



Stat-X EX, 2500E Generator
PN: 11960 (brass)



Please refer to our ATEX/EEC Ex Zone 2 and Class I Division 2 Design, Installation, Operation, and Maintenance Manual (PN: 19017) for more technical information.



Aerosol Fire Suppression

Stat-X EX, 60E Generator
PN: 11885 (SS)



Stat-X EX, 60E Generator
PN: 11895 (SS)



Stat-X EX, 60E Long Generator
PN: 11905 (SS)



Stat-X EX, 100E Generator
PN: 11915 (SS)



Stat-X EX, 250E Generator
PN: 11925 (SS)



Stat-X EX, 500E Generator
PN: 11935 (SS)



Stat-X EX, 1000E Generator
PN: 11945 (SS)



Stat-X EX, 1500E Generator
PN: 11955 (SS)



Stat-X EX, 2500E Generator
PN: 11965 (SS)



Please refer to our ATEX/EEC Ex Zone 2 and Class I Division 2 Design, Installation, Operation, and Maintenance Manual (PN: 19017) for more technical information.

System Signs

Land Signage

These are our typical warning signs. You can find these in our design manual. If you are complying with a standard, please make sure you are familiar-with the requirements for installation and design to ensure you meet the requirements for the fire protection system.

This information is provided in the standard.

All signs have rounded corners.

Part Number	Description
16050	Exit Sign
16052	Isolate Switch Sign
16053	Manual Pull Station Sign
16055	Abort Switch Sign

Exit Sign
PN: 16050



System Isolate Sign

PN: 16052

Stat-X[®] Aerosol Fire
Suppression

**SYSTEM ISOLATION
MAINTENANCE SWITCH**

- 1. PLACE KEY-SWITCH IN "OFF"
POSITION PRIOR TO ENTERING
AREA**
- 2. RETURN KEY-SWITCH TO
ARMED POSITION WHEN
LEAVING THE AREA**
- 3. ENSURE THE AREA IS CLEAR
OF PERSONNEL BEFORE
RE-ACTIVATING THE SYSTEM**

www.statx.com

Manual Pull Station Sign

PN: 16053

Stat-X[®]
Aerosol Fire Suppression

MANUAL PULL STATION

**ENSURE AREA IS EVACUATED BEFORE
RELEASE OF SYSTEM**

www.statx.com



Aerosol Fire Suppression

Abort Sign

PN: 16055



Marine Signage

These are our typical marine warning signs. If you are complying with a standard, please make sure you are familiar with the requirements for installation and design to ensure you meet the requirements for the fire protection system. This information is provided in the standard.

All signs have rounded corners.

Part Number	Description
16100	Evacuate Sign
16103	Discharge Station
16104	Event Sign, small
16105	Event Sign, large

Evacuate Sign
PN: 16100
5 ½" x 3 ½"



Only for use with the E-models if the marine panel is connected to marine fire detectors.



Aerosol Fire Suppression

General Use Marine Signage

Discharge Sign

PN: 16103

3 3/4" x 2 1/2"



Event Sign, small

PN: 16104

3 1/4" x 3 1/4"



Event Sign, large
PN: 16105
3 1/2" x 5 1/2"



Generator Mounting Brackets

Bracket Size	Electrical Generators	Thermal Generators
2" Bracket	30E, 60E, 60ME	30T, 60T, 60MT
3" Bracket	100E, 250ME	100T, 250MT
5" Bracket	250E, 500E, 1000ME	250T, 500T, 1000MT
8" Bracket	1000E, 1500E, 2500E	N/A

The standard bracket is used for building applications.

Our heavy-duty bracket is like the standard bracket. The heavy-duty bracket has a reinforced band clamp. This band clamp over the sleeve reinforces it in shock and vibration applications. The heavy-duty bracket is used for transportation applications.

Part Number	Description
18001	2" Bracket
18002	2" Bracket – single mount
18005	3" Bracket
18006	3" Bracket – heavy duty
18010	5" Bracket
18011	5" Bracket – heavy duty
18015	8" Bracket
18016	8" Bracket – heavy duty
18274	8" Penetrator bracket for ceiling/roof mount (double wall) with sunshield
18275	8" Wall Penetrator bracket – sidewall mount
18283 A	Standard unit clamp (default with PN 18275)
18283 B	Sunshield unit clamp (default with PN 18275 B)
18288	Rupture diaphragm (replacement Mylar membrane)

Mounting Brackets

2" Mounting Bracket fits 30T/E & 60T/E, 60ME, and 60MT generators

PN: 18001 Only available in standard.

PN: 18002 Standard Single Mount



3" Mounting Bracket – Fits 100T/E & 250MT/ME generators

Standard
PN: 18005



Heavy Duty
PN: 18006



5" Mounting Bracket fits 250T/E, 500T/E, and 1000MT/ME generators

Standard
PN: 18010



Heavy Duty
PN: 18011





Aerosol Fire Suppression

8" Mounting Bracket fits 1000E, 1500E, 2500E generators

Standard
PN: 18015



Heavy Duty
PN: 18016



Refer to the appropriate owner's manual and design & installation manual for proper clearance zones, mounting configurations, and installation guidelines.

External Mounting Bracket

Part Number	Description	Generator Compatibility
18210	5" External Bracket	250T, 250E, 500T, 500E, 1000MT, 1000ME

The 5" external mounting bracket.
PN: 18210





Aerosol Fire Suppression

Penetrator Bracket Assemblies

Part Number	Description	Generator Compatibility
18274	Eight (8) Inch Double-Wall Penetrator Assembly Ceiling Mount	Penetrator bracket assembly for 1000E, 1500E, and 2500E Stat-X generators only

Description

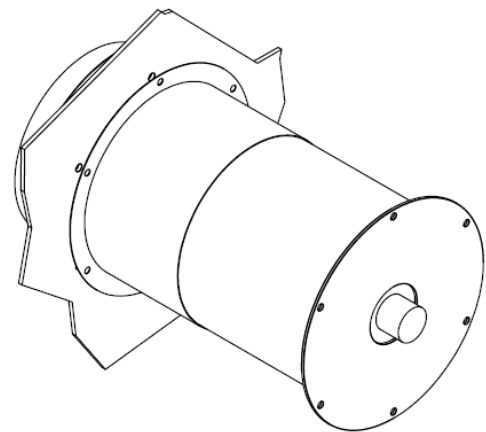
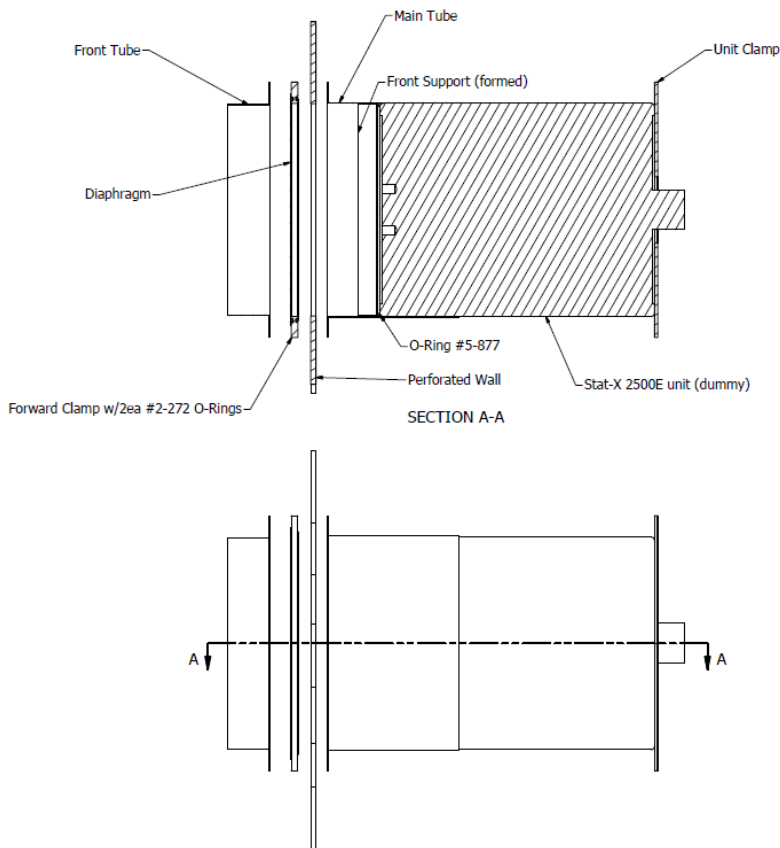
Stat-X® 8-inch wall penetrator assembly devices are intended for special mounting of Stat-X model 2500E electrical activated generators externally of protected enclosures. This device is intended for use in applications where the protected area is potentially filled with flammable gases or processes with mist or airborne fluids that can coat and plug the generator orifice plate. This assembly is intended for vertical mounting. An oversized unit clamp plate is provided to function as a sunshield



Part Number	Description	Generator Compatibility
18275	Eight (8) Inch Penetrator Assembly Wall Mount	Penetrator bracket assembly for 1000E, 1500E, and 2500E Stat-X generators only

This bracket is used to mount Stat-X generators in a sidewall of the protected space, so the generator is outside of the area.

There is extra threaded rod length to accommodate wall thickness variations.



Not shown are 6ea 1/4-20 Tie-rods and nuts



Accessories

Cable Adapter

Cable adapter 3/4" NPT
PN: 14640



The cable adapter can be used for connecting releasing circuit wiring from a junction box to the 3/4" threaded coupling on electrically operated Stat-X generators. It has a cable gland that will tighten around the releasing circuit wiring.



Aerosol Fire Suppression

Generator Protective Covers

Part Number	Description	Electrical Generators	Thermal Generators
14810	Protective cover, 2"	30E, 60E, 60ME	30T, 60T, 60MT
14811	Protective cover 3"	100E, 250ME	100T, 250MT
14812	Protective cover, 5"	250E, 500E, 1000ME	250T, 500T, 1000MT
14813	Protective cover, 8"	1000E, 1500E, 2500E	N/A



The protective covers we offer are optional peel and stick products that can be installed on the discharge port end of Stat-X aerosol generators to provide additional protection when they are going to be installed in harsh environments.

Covers should be installed within five (5) years of the manufacturing date. Preparation should ensure the generator surfaces are well cleaned and free of grease, oil, and other contaminants.

Control Panels and Associated Components

Potter PFC-4410RC Fire Suppression System Control Panel

Part Number	Description
3006142	Potter PFC-4410RC conventional fire suppression system control panel
5090155	Bezel for flush mounting the control panel
3005012	Spare EOL resistor diode assembly (one is required per release circuit; the control panel comes with two)

This fire suppression control panel can release up to forty (40) Stat-X aerosol generators simultaneously. When using this panel to release more than twenty (20) Stat-X aerosol generators, please refer to our Technical Bulletin 14 for information on what panel programs and additional system components are required to do so or contact our technical support team.





Aerosol Fire Suppression

Control Panel Batteries

Two batteries are required per control panel.

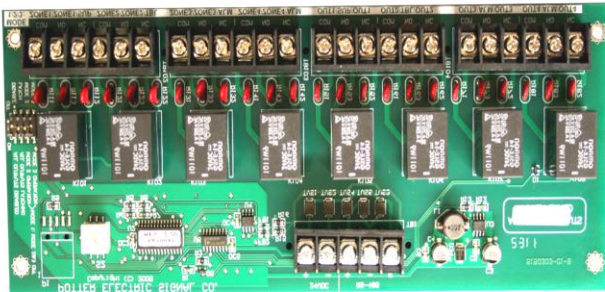
Part Number	Description
5130092	Battery (12V) 5.0 AH
5130084	Battery (12V) 8.0 AH
5130090	Battery (12V) 12.0 AH
5130086	Battery (12V) 18.0 AH

Relay Modules

Potter ARM-44 Relay Module (8 form-C relays)

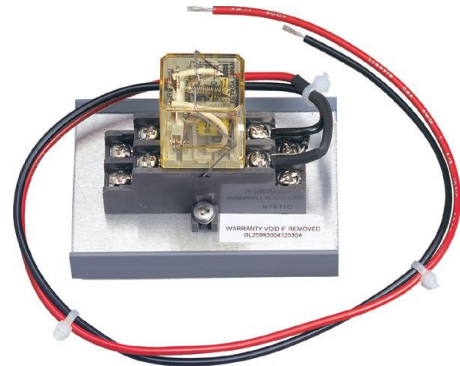
PN: 3006221

This expansion relay module for use with the PFC-4410RC panel provides additional dry contact relays for shutting down process equipment and HVAC systems upon a Stat-X fire suppression discharge.



Potter ARM-2 Relay Module
PN: 3004725

The ARM-2 auxiliary relay module is a non-supervised DPDT Relay designed to be activated by 24VDC Indicating and/or releasing, polarity reversing circuits. The module can be used for fan shutdown, equipment shutdown door release, elevator recall, etc. When the ARM-2 module is used the additional power required for this relay module must be subtracted from the total available circuit current.



Switches

Potter Release Circuit Disable Switch
PN: 3001002

This device is used to bypass the releasing circuit from a Potter PFC-4410 RC panel, a MOM-4 addressable monitored output module, or a NAC circuit on a PSN-100 that is being used as a release circuit to Stat-X aerosol generators.



Conventional Abort Switch
PN: 3001000

Abort switches are used to abort a system discharge when the fire suppression control panel is in its programmable discharge delay sequence that is activated after the control panel is in a confirmed fire suppression system release condition. When using this switch with a Potter PFC-4410RC control panel, activation of the abort circuit stops the pre-discharge timer at ten seconds. If there is less than ten seconds remaining, the time goes back to ten seconds. Releasing the abort switch starts the discharge delay timer again at ten seconds. If this device is going to be used with a Potter addressable fire suppression system control panel it should be interfaced to an I/O circuit on the main board of the control panel.





Aerosol Fire Suppression

Conventional Fire Alarm Pull Stations

Fire alarm pull stations provide the ability for building occupants to manually put the building fire alarm system into an alarm condition.

Stat-X systems should be installed with a pull station labeled as "FIRE SUPPRESSION RELEASE" rather than "FIRE ALARM".

Conventional Manual Release Station

PN: 1000655

Model RMS-IT-LP Red SPST Dual Action Manual Release Station with "FIRE SUPPRESSION RELEASE" lettering

Manual release stations are typically installed at each point of egress from a space that was going to be protected by a Stat-X fire suppression system. When activated, a manual release station will cause the fire suppression control panel to immediately discharge the Stat-X fire suppression system. If this device is going to be used with a Potter addressable fire suppression system control panel it must be either supervised using an addressable monitor module on the SLC loop or tied into an I/O circuit on the main board of the control panel.



The version for outdoor or wet conditions is PN: 1000401

Special Case Pull Station
PN: 1000476

The Potter 1000476 is marked "FIRE ALARM" and may be used for rare or special cases where both the pull stations are used. The 1000476 to trigger the first fire alarm (in a cross-zoned system) and the 1000655 as an emergency manual release override.





Aerosol Fire Suppression

Part Number	Model	Description
1000651	RMS-1T-LP Yellow	Manual pull station – “Agent Release,” yellow
1004651-2	RMS-1T-LP Yellow	Manual pull station – “Stat-X Agent Release,” yellow
1004651-3	RMS-1T-WP-LP Yellow	Manual pull station – “Stat-X Agent Release,” yellow
1000655	RMS-1T-LP Red	Standard pull station – indoor use dual action manual release station with “FIRE SUPPRESSION RELEASE” lettering
1000627	RMS-1T-WP-LP Red	Standard pull station – outdoor or wet use Marked with “AGENT RELEASE”
1000644-3	RMS-EX-WP-LP	Manual pull station – “Fire Suppression Release,” red
1000476	P32-1T-LP	Dual action “FIRE ALARM”, SPST, hex-key reset, red
1000401	RMS-1T-WP	Single action, weatherproof, SPST, hex-key reset
1000444	P32-BB	Surface mount back box
1000445	P32-DBB	Deep surface mount back box
1000403	RMS-1T-WP-LF	Weatherproof dual red
1000480	RMS-LP	Pull station lift and pull dual action adapter, red

Powered Spot-Type Conventional Fire Detectors



Part Number	Model	Description
1430036	CPS-24	Conventional photoelectric smoke detector
1430014	SB-46	Smoke detector base, 6" 46 mA (for CPS-24 and PS-24H series)
1000140	CR-135	Combo rate of rise/fixed temp 135°F/57°C heat detector
1000141	CR-200	Combo rate of rise/fixed temp 200°F/93°C heat detector
1000142	CF-135	Fixed temperature 135°F/57°C heat detector
1000143	CF-200	Fixed temperature 200°F/93°C heat detector

Thermotech Conventional Spot-Type Heat Detectors

Part Number	Description
302-135	135°F fixed temperature vertical mount
302-194	194°F fixed temperature vertical mount
302 ET-135	135°F fixed temperature vertical mount, all weather, ½" conduit
302-ET-194	194°F fixed temperature vertical mount, all weather, ½" conduit
302-AW-135	135°F fixed temperature vertical mount, all weather
302-AW-194	194°F fixed temperature vertical mount, all weather
302-EPM-135	135°F fixed temperature vertical mount, explosion proof
302-EPM-194	194°F fixed temperature vertical mount, explosion proof

We recommend that the fastest responding type of fire detection device that fits the protected hazard area be used to release Stat-X fire suppression systems. Spot-type heat and smoke detector device spacing, and installation requirements are to be per the guidelines of the device manufacturer, in accordance with the requirements of the NFPA 72, and/or in accordance with the requirements of the AHJ.

Potter Horn/Strobes



Audio-visual alarm devices are used as general fire alarm annunciation devices as part of building fire alarm systems, and they are also typically installed inside the protected space that is being protected by a Stat-X fire suppression system. Authorities Having Jurisdiction (AHJs) can also require these devices to be provided outside each point of egress from a space that is protected by a Stat-X fire suppression system.

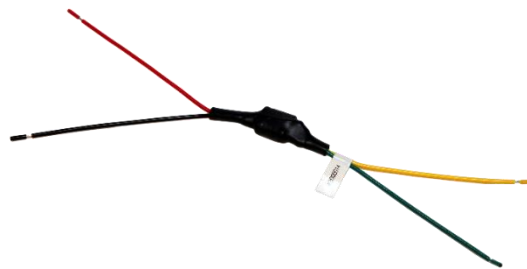
Part Number	Model	Description
4890010	S-24WR	Strobe wall mount, red
4890011	S-24WW	Strobe wall mount, white
4890012	S-24PWR	Strobe wall mount, plain housing, red
4890050	S-24WR-WP	Strobe outdoor wall mount, w/backbox, red
4890030	HS-24WR	Horn/strobe wall mount, red
4890031	HS24WW	Horn/strobe wall mount, white
4890032	HS24PWR	Horn/strobe wall mount, plain housing, red
4890060	HS-24WR-WP	Horn/strobe outdoor wall mount w/backbox, red
4890061	HS-24WW-WP	Horn/strobe outdoor wall mount w/backbox, white
4890262	Bezel	“AGENT” bezel for the horn strobe

Potter Releasing Control Accessories

Ematch Protection Device

PN: 3005014

An ematch protection device is required to be installed before each E model Stat-X aerosol generator on Stat-X fire suppression system releasing circuits on all UL listed systems. This device is used to protect Stat-X aerosol generator from power surges such as lightning strikes. For instructions on how to install this device please refer to our Technical Bulletin 23.



Test Match

PN: 14590

Test matches can be used as part of a functional system test for a Stat-X fire suppression system. One test match is put in place of each E model Stat-X aerosol generator on the releasing circuit(s) in order to perform a functional test of a Stat-X fire suppression system. For instructions on how these devices should be used please refer to our Technical Bulletin 24. Please note that these devices are one-time use devices.



Fire Alarm Control Panel

Potter ARC-100 Fire Alarm Control Panel

Potter Electric Signal introduced this panel and other components as noted below and on the price estimator.



The ARC-100 is an analog/addressable releasing fire alarm system with a total system capacity of 100 addresses. Additional capacity on the system is achieved using multi-point SLC modules. The control panel utilizes the exclusive Potter protocol that includes a complete line of sensors and modules. Each SLC may be comprised of any combination of smoke sensor, heat detectors or modules and allows for a total of 50 ohms of impedance and may use any wire compliant with the National Electrical Code (NEC). The ARC-100 has a 5 Amp.

The ARC-100 product line is available and compatible with Stat-X generators. As you can see on page 48 of the Design, Installation, Operation, and Maintenance Manual (PN 19000).



Aerosol Fire Suppression

Part Number	Description
3992753	ARC-100, Addressable FACP, 100 point
3992733	PAD 100 Photo Detector
3992734	PAD 100 Photo/Heat Detector
3992735	PAD 100 Heat Detector
3992712	PAD 100 Duct Relay Detector, 4 wire
3992713	PAD 100 Duct Detector, 2 wire (not for PAD11-DRTS; use PAD100-LEDK for remote purposes)
3992732	PAD 100 6" Base
3992731	PAD 100 4" Base
3992730	PAD 100 Isolator Base
3992728	PAD 100 Relay Base
3992729	PAD 100 Sounder Base
3992735	PAD 100 CO Detector
3992700	PAD 100 Micro Input Module
3992721	PAD 100 Pull Station, Single Action
3992720	PAD 100 Pull Station, Dual Action
3992704	PAD 100 Single Input Module
3992703	PAD 100 Dual Input Module
3992701	PAD 100 Two Relay, Two Input
3992707	PAD 100 Notification Appliance Circuit
3992706	PAD 100 Zone Module
3992708	PAD 100 Isolator Module
3992705	PAD 100 Relay Module
3992710	PAD 100 Addressable LED Module
3992724	PAD 100 Speaker Module
3992709	PAD 100 LED w/ Keyswitch
3992711	PAD 100 Duct Remote Test (use with PAD100-DUCTR)
3992702	PAD 100 One Relay, One Input

Control Panel Batteries

Two batteries are required for each control panel, and the control panels will house up to 18 AH batteries. Larger batteries require a separate battery cabinet.

Part Number	Description
5130092	Battery (12V) 5.0 AH
5130084	Battery (12V) 8.0 AH
5130090	Battery (12V) 12.0 AH
5130086	Battery (12V) 18.0 AH



Aerosol Fire Suppression

Sigma A-XT Extinguishant Control Panel

UL/FM Approved



Part Number	Description
K1810-13	Sigma A-XT Extinguishment Control Panel, Red, 230V (UL)

Sigma A-XT releasing panel offers outstanding value and performance for all small to medium fixed firefighting installations. When UL or FM requirements must be met the Sigma A-XT will meet your needs.

The extensive configuration options of the Sigma A-XT allow the functionality of the system to be extensively modified. The panel contains a large LED display to enable easy configuration and it displays the time remaining until release for added user safety.

With all the electronics mounted on a single, easily removable, steel plate Sigma A-XT panels are both robust and easy to install.

The data sheets are available in the distributor portal.

Sigma XT Extinguishant Control Panel

Approved and certified to EN12094-1, EN54-2 and EN54-4



Part Number	Description
K11031M2	Sigma XT Extinguishing Control Panel, 3 zone

Sigma-XT releasing panel offers outstanding value and performance for all small to medium fixed firefighting installations. When EN requirements must be met the Sigma XT will meet your needs.

The extensive configuration options of the Sigma-XT allow the functionality of the system to be extensively modified. The panel contains a large LED display to enable easy configuration and it displays the time remaining until release for added user safety.

With all the electronics mounted on a single, easily removable, steel plate Sigma-XT panels are both robust and easy to install.

The data sheets are available in the distributor portal.

Sigma XT+ Multi-Area Extinguishant Control Panels

Sigma XT+ control panels are multi-area extinguishant control panels complying with EN12094-1, EN54-2, and EN54-4



Part Number	Description
K1711-10	XT+ Releasing Control Panel, 1 Area, Addressable, Red, 230V

Up to 8 zones of conventional detection with up to 4 extinguishant areas are available. Stand-alone extinguishant control units are also available with 2 monitored inputs to receive initiating signals from remote fire detection control panels or addressable modules.

Each extinguishant area has a comprehensive set of inputs and outputs and is configurable via a simple programming interface. All extinguishant areas may have up to 7 serially connected Sigma SI status indication and control units or ancillary relay boards connected via a simple 4 core cable.

The data sheets are available in the distributor portal.

Compact Control Panels

Solo Ultra Control Panel



Part Number	Description
14692	Solo Ultra

The Solo Ultra has effectively eliminated spurious activation which can occasionally be caused by the inherent characteristics of microprocessors, semiconductor power switches. Our tamper evident tag technology and our strict electronic design rules have proven highly effective. To eliminate the inherent hazards of microprocessor control the Solo Ultra uses a fully parallel path programmable logic device, which is coded using a language called VHDL, commissioned by US DOD and used for high reliability and safety critical applications.

The data sheets are available in the distributor portal.

DECU3 Control Panel



Part Number	Description
34640	DECU3 Control Panel

The DECU3 is a powerful fire and extinguishing panel, specifically designed for the fire protection of objects and small spaces like CNC machines, engine compartments, engine rooms, and electrical cabinets.

The data sheets are available in the distributor portal.

μ-FEP Fire Detection & Extinguishing Control Panel with an Integrated UPS



Part Number	Description
34680	μ-FEP

The μ-FEP (micro FEP) is designed to be a stand-alone fire detection-extinguishant release panel used in systems for electrical cabinets, CNC machines, engine rooms, small areas, or other equipment in which the user should be able to extinguish a fire rapidly and effectively.

The μ-FEP control panel is designed to meet the requirements of the European standard EN54-2 Fire Detection and Fire Alarm systems - Control and Indicating Equipment, and the EN12094-1 for Fixed firefighting systems Part 1: Requirements and test methods for electrical automatic control and the NEN-EN 15276-2 for aerosol fire extinguishing systems. The μ-FEP is a versatile fire alarm / extinguishing system with a high-performance level intended for small/compact firefighting systems.

The data sheets are available in the distributor portal.



Aerosol Fire Suppression

AdvantageLi Control Panel



Part Number	Description
830030	Advantage-Lithium Control Panel (includes batteries and 470k resistors)
830036	Mounting Kit Advantage-Lithium DIN Rail
830042	Expansion Module Advantage-Lithium Annunciation & Detection
830031	Battery LiSoCl ₂ replacement Advantage-Lithium Control Panel (requires 2 each)
830003	Switch Toggle Manual Release
830017-018	Cable Assy, Adv-Li to Manual Switch, 18-in
830045-05	End of Line Resistor Pk, Qty (5), 470k ohm

The AdvantageLi dual release, dual battery control panel was developed after years of rugged mining, transit, and military electronic control panel evolution. The AdvantageLi control panel uses lithium thionyl chloride batteries which can operate for up to one year on the primary battery and includes an identical secondary backup battery as a UL required backup power source.

The AdvantageLi control panel can be used to protect single detection and single releasing hazard or two separate detection and releasing zones. Two wire Class B supervision is provided for detection, manual release, and auxiliary functions.

The data sheets are available in the distributor portal.

SDRP Panel



The SDRP provides automatic fire detection and releasing capability for up to four Stat-X generators without the need for direct power connection. Replaceable internal lithium batteries supply power to the control panel for up to three years in service, even after storage. Dual detection and release zones are provided for both automatic and manual actuation of the fire suppression system, as well as a manual release for both zones simultaneously. The SDRP is specifically designed for rugged commercial and military on and off-road vehicle use.

Part Number	Description
830001	SDRP Control Panel, Battery Powered, Mil Connector
830002	Test module
830003	Switch, Toggle Manual Release, Mil
830006	Control Panel Cable Assy, - Battery Powered Panel
830007	End of Line Resistor Assy, 470k
830009	Battery Kit, Replacement for 830001, LiSOCl
830010-135	Sensor, Spot Thermal, Thermotech 135°F Vertical Internal
830010-194	Sensor, Spot Thermal, Thermotech 194°F Vertical Internal
830011-135	Sensor, Spot Thermal, Thermotech 135°F Vertical All Weather
830011-194	Sensor, Spot Thermal, Thermotech 194°F Vertical All Weather
830012-135	Sensor, Spot Thermal, Thermotech 135°F Vertical All Weather 1/2 Conduit
830012-194	Sensor, Spot Thermal, Thermotech 194°F Vertical All Weather 1/2 Conduit
830013-135	Sensor, Spot Thermal, Thermotech 135°F Explosion Proof
830013-194	Sensor, Spot Thermal, Thermotech 194°F Explosion Proof
830020-05	Linear Thermal Wire, 5 ft., 155°F Type XCR
830020-10	Linear Thermal Wire, 10 ft., 155°F Type XCR
830021-05	Linear Thermal Wire, 5 ft., 190°F Type XCR



Aerosol Fire Suppression

Part Number	Description
830021-10	Linear Thermal Wire, 10 ft., 190°F Type XCR
830022-05	Linear Thermal Wire, 5 ft., 220°F Type XCR
830022-10	Linear Thermal Wire, 10 ft., 220°F Type XCR
830023-05	Linear Thermal Wire, 5 ft., 280°F Type XCR
830023-10	Linear Thermal Wire, 10 ft., 280°F Type XCR
830024-05	Linear Thermal Wire, 5 ft., 356°F Type XCR
830024-10	Linear Thermal Wire, 10 ft., 356°F Type XCR
830025-05	Linear Thermal Wire, 5 ft., 135°F Type XLT
830025-10	Linear Thermal Wire, 10 ft., 135°F Type XLT
830100	Demo Board, FTS panel with spot thermal sensor & linear thermal wire

The data sheets are available in the distributor portal.

Control Panel Comparison

Feature	SDRP	Solo Ultra	PFC-4410RC Conventional	ARC-100 Addressable	Advantage Li	DECU3	µFEP	Sigma XT and A-XT
Manufacturer	Total Fire Systems	Nobel Fire Systems	Potter	Potter	Total Fire Systems	Protec	KG Group	Kentec
County of Manufacturer	United States	UK	United States	United States	United States	Netherlands	Netherlands	UK
Quantity of Stat-X Devices	4	6	2x10 or 4x10	Addressable	2 x 6 12 Total	4	5	6
Detection zones	2	2	2	Addressable	2	2	2	3
Releasing zones	2	2	2	Addressable	2	1	1	1
Factory made harnesses	yes	no	no	no	no	no	no	no
VAC main power input	no	no	120-240	120-240	no	yes	yes	120-240
VDC main power input	no	12 to 32	no	no	no	yes	yes	28 +/-2
Battery power standalone	2 x Li Ion 3.6V	no	no	no	yes	no	no	no
Battery backup	yes	no	yes	yes	yes	no	yes	yes
Networking	no	no	yes	yes	yes	no	yes	yes
Wireless communication	no	no	no	yes	yes	no	yes	no
Lock-out	integrated	no	external	external	yes	Yes	yes	yes
Integrated manual release	no	yes	no	no	no	yes	yes	yes
Remote manual release	yes	yes	yes	yes	yes	yes	yes	yes
Integrated audio notification	no	yes	no	no	yes	yes	yes	no
Auxiliary power output	yes	yes	yes	yes	yes	yes	yes	yes
Remote alarm output	yes	yes	yes	yes	yes	yes	yes	yes
Remote fault output	yes	yes	yes	yes	yes	yes	yes	yes
Adjustable time delay	no	yes	yes	yes	yes	yes	Yes	yes
IP rating	65	65	no	no	67	65	66	30
Operating temperature range	-68F/+186F -55C/+85C	NA	+32F/+120F 0C/+49C	+32F/+120F 0C/+49C	-40F/+185F -40C/+85C	14F/+105F -10C/40C	14F/+122F -10C/+50C	14F/+122F -10C/+50C
Non-IMO/SOLAS Marine	no	yes	no	no	no	no	no	no
IMO/SOLAS Marine	no	no	no	no	no	no	no	no
APPLICATIONS								
Military	yes	no	no	no	no	no	no	no
Small vehicle engine	yes	yes	no	no	yes	yes	yes	no
Bus vehicle engine	yes	yes	no	no	no	yes	yes	no
Off road/mining vehicle engine	yes	yes	no	no	no	yes	yes	no
Mobile/Container Energy Management System	yes	yes	yes	yes	yes	no	no	yes
Mobile/Container Diesel Generator Sets	yes	yes	yes	yes	yes	yes	yes	yes
Wind Turbine Generator Nacelle	yes	yes	yes	yes	yes	yes	yes	yes
Electrical cabinet	yes	yes	yes	yes	yes	yes	yes	yes
CNC machine tools	yes	yes	yes	yes	yes	yes	yes	yes
APPROVALS								
UL listed	MIL SPEC	no	UL/FM/CE	UL/FM	UL 864 w/exceptions	CE	CE	EN/UL/FM
Stat-X EX Zone 2 compatible	yes	no	yes	yes	no	no	no	no
ULC listed	no	no	yes	yes	no	no	no	yes
CE marked	no	yes	yes	yes	no	yes	yes	yes
US military standard compliant	yes	no	no	no	no	no	no	no
Marine classification society certified	no	yes	no	no	no	no	no	no
ADDS INS - Special devices	yes	yes	yes	yes	yes	yes	yes	yes

Linear Heat Detection Equipment

Protectowire Linear Heat Detection Wire

Part Number	Description
PHSC-155-EPC	Linear heat detection cable type EPC 155°F/68°C
PHSC-190-EPC	Linear heat detection cable type EPC 190°F/88°C
PHSC-220-EPC	Linear heat detection cable type EPC 220°F/105°C
PHSC-280-EPC	Linear heat detection cable type EPC 280°F/138°C
PHSC-356-EPC	Linear heat detection cable type EPC 356°F/180°C
PHSC-155-XCR	Linear heat detection cable type XCR 155°F/68°C
PHSC-190-XCR	Linear heat detection cable type XCR 190°F/88°C
PHSC-220-XCR	Linear heat detection cable type XCR 220°F/105°C
PHSC-280-XCR	Linear heat detection cable type XCR 280°F/138°C
PHSC-356-XCR	Linear heat detection cable type XCR 356°F/180°C
PHSC-135-XLT	Linear heat detection cable type XLT 356°F/180°C

TYPE EPC – VINYL JACKET



PHSC-155-EPC 155° (68°C)
Max. Recommended Ambient Temp 115° F (46° C)



PHSC-190-EPC 190° (88°C)
Max. Recommended Ambient Temp 150° F (66° C)



PHSC-220-EPC 220° (105°C)
Max. Recommended Ambient Temp 175° F (79° C)



PHSC-280-EPC 280° (138°C)
Max. Recommended Ambient Temp 200° F (93° C)



PHSC-356-EPC 356° (180°C)
Max. Recommended Ambient Temp 221° F (105° C)

TYPE PLR-R

THERMOPLASTIC ELASTOMER JACKET



PLR-155R 155° (68°C)
Max. Recommended Ambient Temp 115° F (46° C)

PLR-190R 190° (88°C)
Max. Recommended Ambient Temp 150° F (66° C)

**TYPE XCR
FLUOROPOLYMER JACKET**



PHSC-155-XCR 155° (68°C)
Max. Recommended Ambient Temp 115° F (46° C)



PHSC-190-XCR 190° (88°C)
Max. Recommended Ambient Temp 150° F (66° C)



PHSC-220-XCR 220° (105°C)
Max. Recommended Ambient Temp 175° F (79° C)



PHSC-280-XCR 280° (138°C)
Max. Recommended Ambient Temp 200° F (93° C)



PHSC-356-XCR 356° (180°C)
Max. Recommended Ambient Temp 250° F (121° C)

**TYPE XLT – PROPRIETARY
POLYMER JACKET**



PHSC-135-XLT 135° (57°C)
Max. Recommended Ambient Temp 100° F (38° C)

Note: Colors shown are for illustrative purposes only. Actual jacket colors may vary.

Protectowire Splicing Connectors and Termination devices

Splicing connector, 2 point (10 pk.)

PN: PWSC



Splicing sleeves (10 pk.)

PN: PWS



Flexible leads (pair)

PN: PFL



Series JCT box sealed strain relief
Connectors

PN: SR-502



Non-metallic strain relief connector

PN: SR-502N





Aerosol Fire Suppression

SFTS sealant tape #2228
PN: SFTS
Used to seal all splices before
applying splicing tape.



Splicing tape
PN: 35 Red, white, or blue
Used to protect splices after using
SFTS-1-8-F sealant tape.



Low Temperature Splicing tape, black
PN: 33+
Used to protect splices in cold environments
after using SFTS-1-8-F sealant tape.



Protectowire General Purpose Fasteners

Clips, corner (white)
PN: WAW-N



Clips, nylon (clear)
PN: WAW-P



Clips Line
PN: OHS-1
Use with type EPR, EPC, EPM,
and TRI cable.



Clips, 304 stainless steel with 1/4" hole
PN: OHS-SS



Beam clamp assembly (steel)
PN: BC-2
Consists of beam clamp, WAW clip,
and snap button



Beam clamp assembly (with nylon clip)
PN: BC-3N



L-bracket, stainless (rim type seal)

PN: RMC-3

This bracket consists of a steel bracket, WAW clip, and snap button and are often used to mount Protectowire to the rim seals on floating roof tanks.



Insulated standoff

PN: TR-5G

Used to install Protectowire on or above cable conveyors or mechanical structures.



Adhesive cable mount

PN: EMS-A-CO

Requires Sikaflex adhesive.



Cable tie (for EMS-A-CO mounts)

PN: PLT1S-CO



PN: Sikaflex 291

Use with EMS cable mounts, should not be used in chemically harsh areas or areas where temperatures are less than 0°F (-17°C) or exceed 180°F (82°C)



Protectowire Cable Tray Mounting Clips

Mounting clip (ea.)
PN: HPC-2



Mounting clip assembly
PN: CC-2N



Mounting clip assembly
PN: CC-2W



Mounting clip assembly
PN: CC-10N



Mounting clip assembly
PN: CC-10W



Mounting clip assembly with screw and lock nut
PN: CC-10N-S

Mounting clip assembly with screw and lock nut
PN: CC-10W-S



Aerosol Fire Suppression

Protectowire Sprinkler Pipe Mounting Hardware

Series pipe straps (3/4" to 2" pipe)

PN: PM-3A



Series pipe straps (2-1/2"-3-1/2" pipe)

PN: PM-3B



Series pipe straps (4" to 6" pipe)

PN: PM-3C



Protectowire Wire Installation Equipment

Wire dispensing reel for coils

PN: SU-15



Systems Enclosure Application Worksheet

Project Name: _____

What is the hazard fire class? A (surface), B, or C

What is the volume of the enclosed space?
(Width x depth x tallest ceiling) W _____ x D _____ x H _____ = _____

List all unenclosed openings:

Rectangle or round (circle one) and the W _____ x H _____ or diameter _____

Rectangle or round (circle one) and the W _____ x H _____ or diameter _____

Rectangle or round (circle one) and the W _____ x H _____ or diameter _____

Please contact your local authorized distributor with this information as they have our designer calculation program and can assist with your project.



Aerosol Fire Suppression

Industrial Applications

Industry	System Applications
Power Generation	Gas turbine enclosures Generator rooms Switchgear rooms Wind turbine nacelles, cabinets, and power rooms Battery room (lead acid batteries) Machine rooms Electrical cabinets Transformer rooms
Energy Storage Systems (ESS)	Battery room (lead acid / lithium-ion batteries)
Transportation – Bus	Bus engine compartments
Transportation – Rail	Rolling stock engines Control rooms
Transportation & Mobility	Lifting and handling equipment Specialty vehicles Motor control centers Off-road vehicles engine compartments Tunneling equipment
Telecommunications/Cell Sites	Electrical cabinets Battery racks
Manufacturing Machines	CNC machines
Manufacturing	Flammable liquid storage Electrical rooms Dust protection (non-explosive) Dust collectors (non-explosive) Robots
Commercial Buildings	Elevator machine rooms Flammable liquid storage Generator rooms
Laboratories	Chemical storage Globe boxes Enclosed fume hoods
Oil & Gas (upstream and midstream)	Remote pump houses Remote storage
Utilities	Substations and control rooms

Stat-X First Responder[®]



Stat-X

First Responder[®]

The Stat-X First Responder[®] is our hand-held device. It discharges thru ports on the lower side of the unit, instead of the bottom like the other generators.

Part Number	Description
15001	Stat-X First Responder [®] (4-pack)
15026	Case, yellow for two (2) units with Stat-X label
15050	Mounting bracket, heavy duty
15055	Carry pouch, heavy duty
15090	Locator Sticker, 9" x 4" reflective "Stat-X First Responder [®] "



Aerosol Fire Suppression

Stat-X First Responder®
PN: 15001



Case, yellow for two (2) units
PN: 15026



Locator sticker
PN: 15090

Mounting bracket
PN: 15050



First Responder®



Carry pouch
PN: 15055



Industrial Applications

Industry	Stat-X First Responder [®] Applications
Utilities	Cable tunnels Manholes/high voltage underground services
Power Generation	Wind turbine nacelles and power rooms Battery room (lead acid / lithium-ion)
Energy Storage Systems (ESS)	Battery room (lead acid / lithium-ion batteries)
Transportation – Bus	Bus passenger compartments
Transportation – Rail	Locomotive power compartments
Buildings	Elevator machine rooms Flammable liquid storage
First Responder Services	Attic fires Police High rise building fires Fire departments First responders

Stat-X[®]

Aerosol Fire Suppression

Special Hazard Fire Protection for Enclosed Spaces

Locate a certified distributor partner at www.statx.com/distributors

Corporate Office

Fireaway Inc.
5852 Baker Road
Minnetonka, MN 55345 USA

Office Hours

Monday-Friday
8 a.m. – 4:30 p.m. CST

Contact Us

+1 (952) 935-9745
sales@statx.com

PN: 19504.4.5
3/2021

Authorized Distributor



Contact Us

+1 (416) 236-2371
controlfiresystems.com